



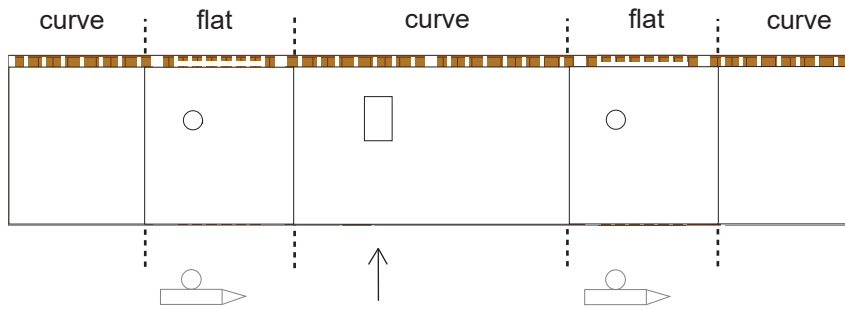
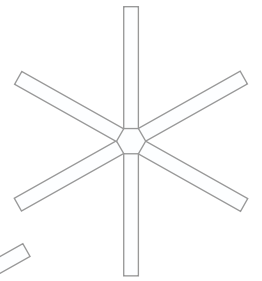
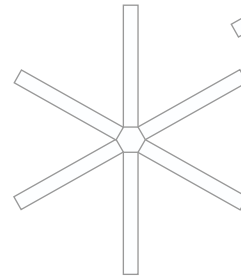
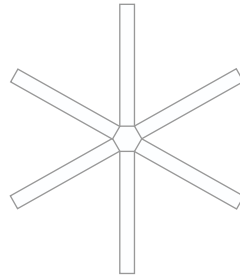
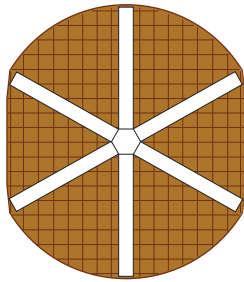
1:100 Scale



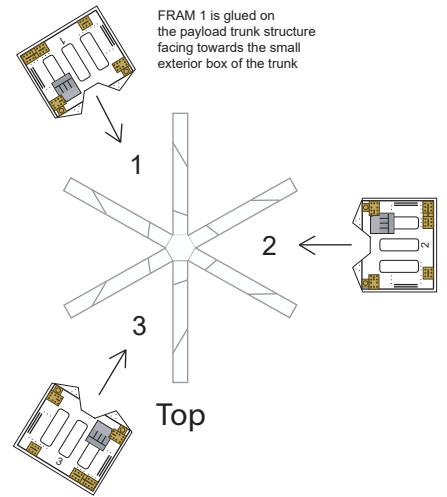
Dragon's Trunk and Payload

Print on Cardstock (110 lbs)

CRS-11

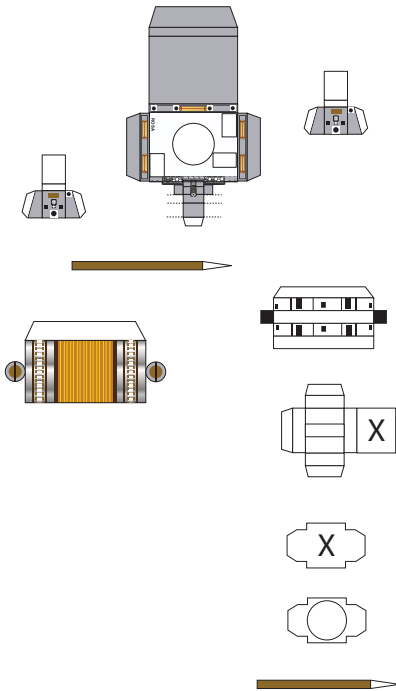


This curved area with the small rectangle is glued on the same side of the trunk that has the small rectangular box on the outside.



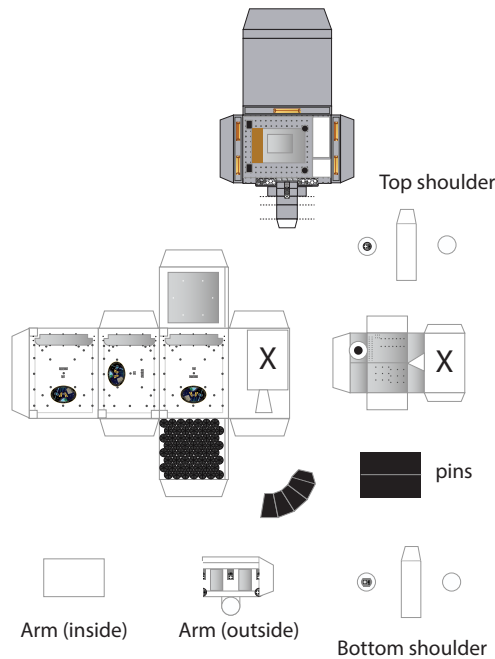
ROSA

Fram 2



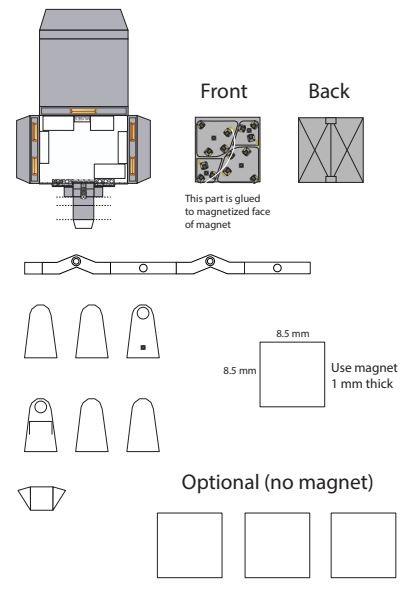
NICER

Fram 3



MUSES

Fram 1





Dragon's Trunk and Payload

Print on Cardstock (110 lbs)

CRS-11

1:100 Scale

ROSA

Deployed Solar Array configuration

