

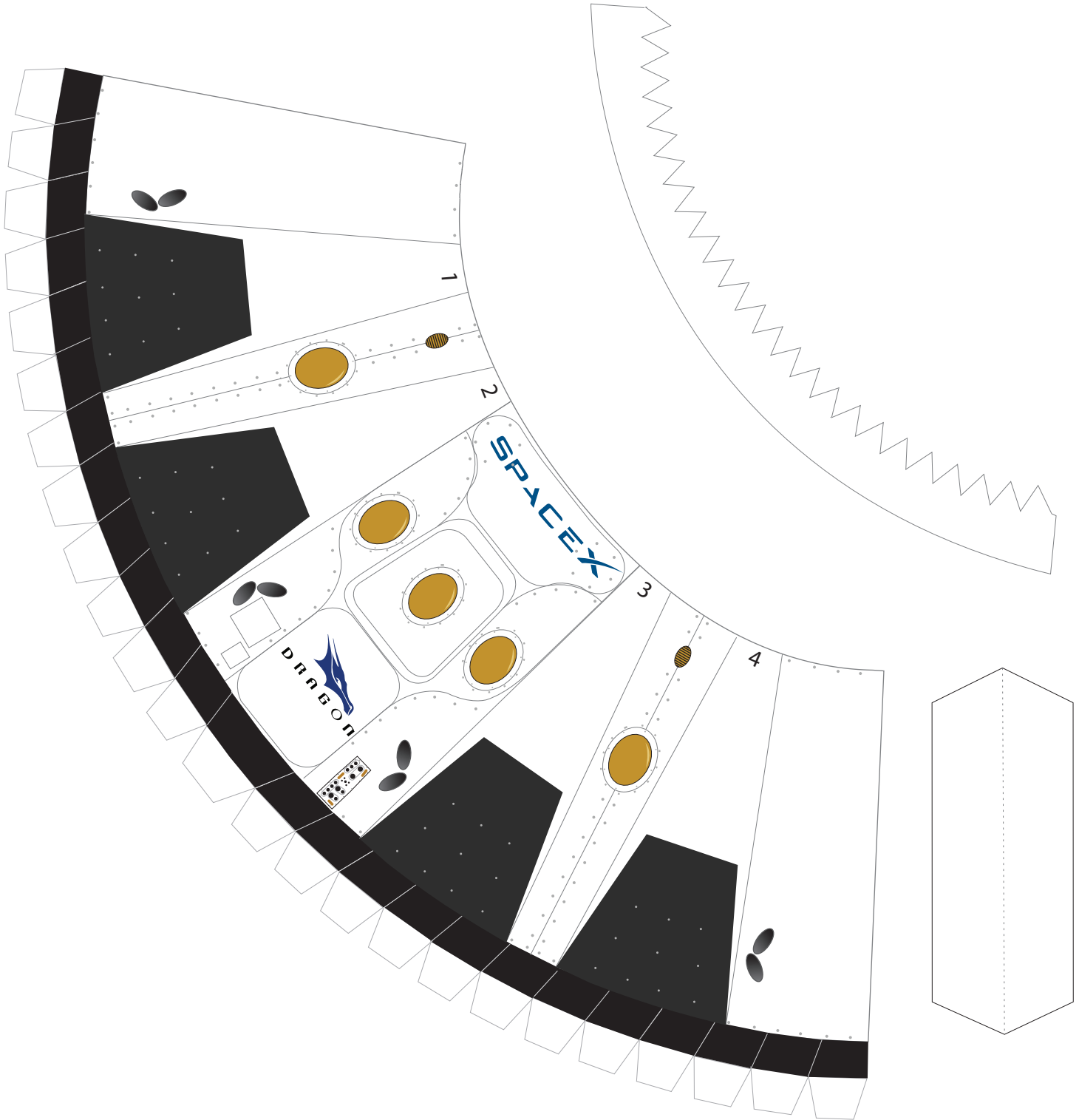


SPACE-X "Dragon v2" Pad Abort Configuration Capsule

Print on Cardstock (110 lbs)

Rev. 2018

1:48 Scale



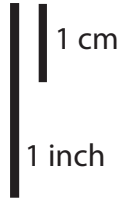


SPACE-X "Dragon v2"

Print on Cardstock (110 lbs)

Pad Abort Configuration Super Draco rocket housings

Revision 2018



1:48 Scale

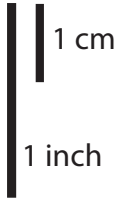




SPACE-X "Dragon v2" Pad Abort Configuration

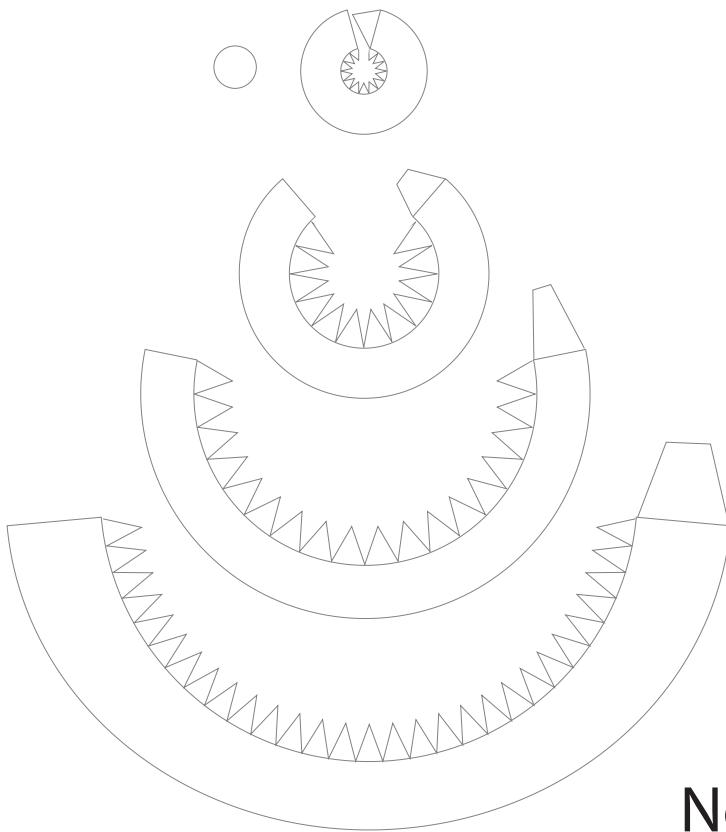
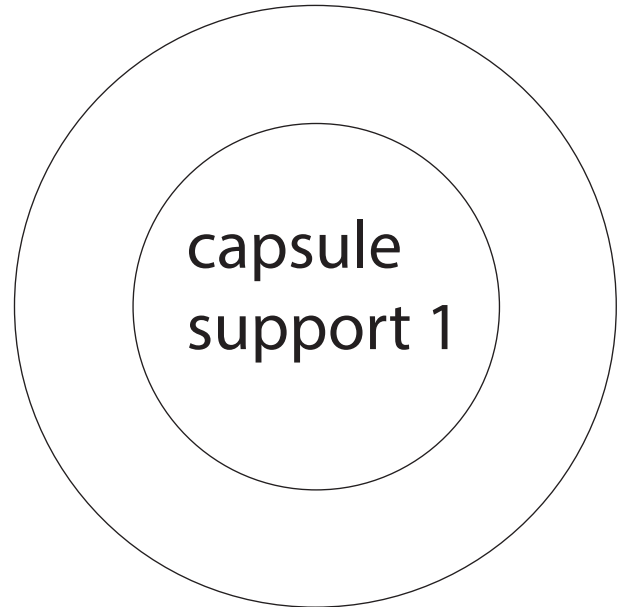
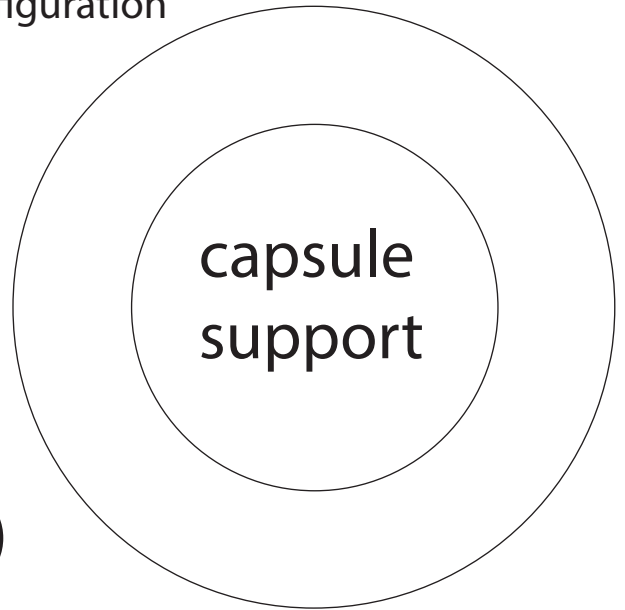
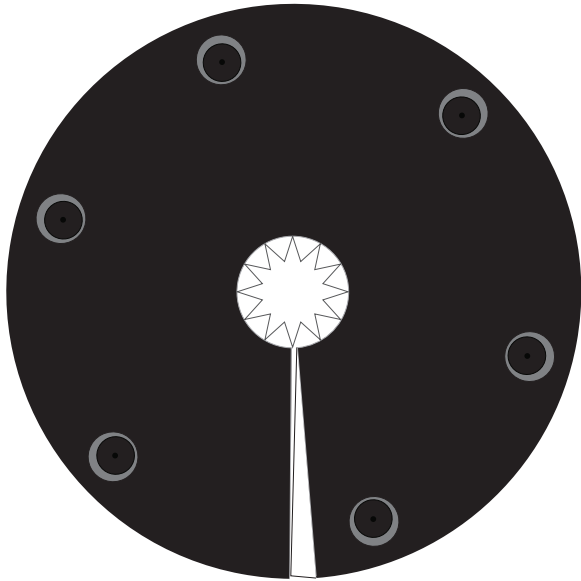
Print on Cardstock (110 lbs)

Revision 2019



1:48 Scale

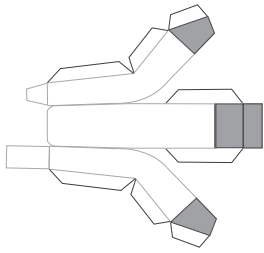
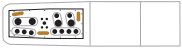
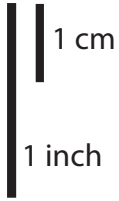
Heatshield



Nosecone



1:48 Scale

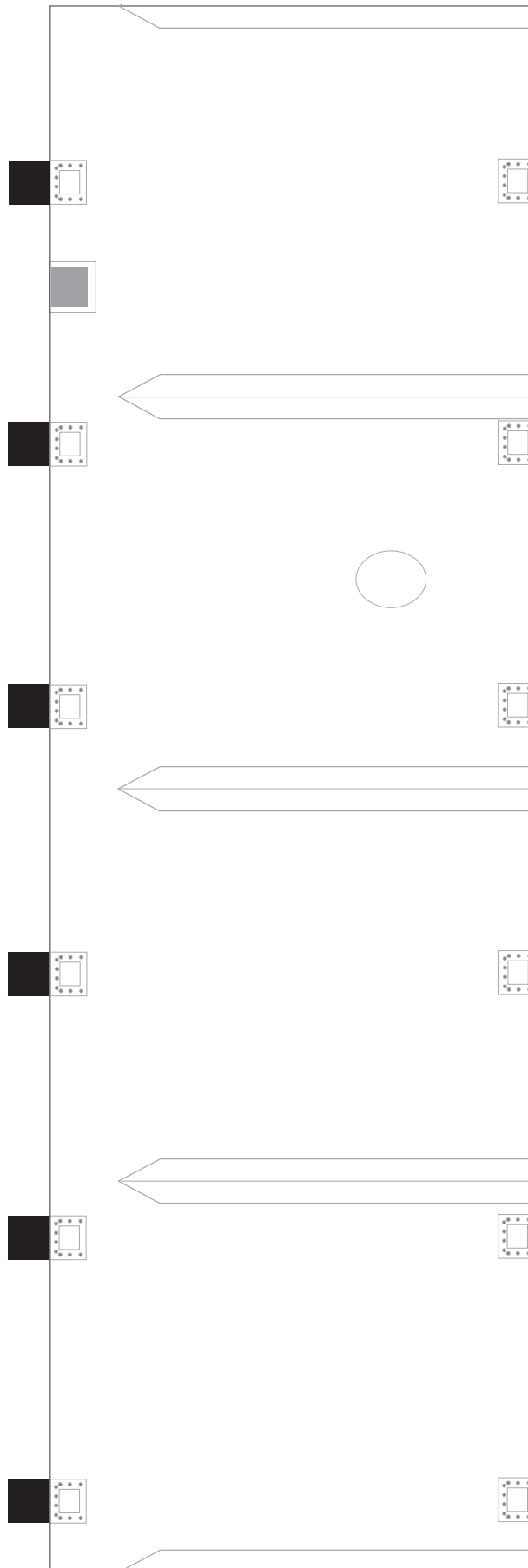


Umbilical

SPACE-X "Dragon v2"

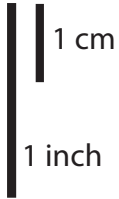
Revision 2018

Print on Cardstock (110 lbs)





1:48 Scale



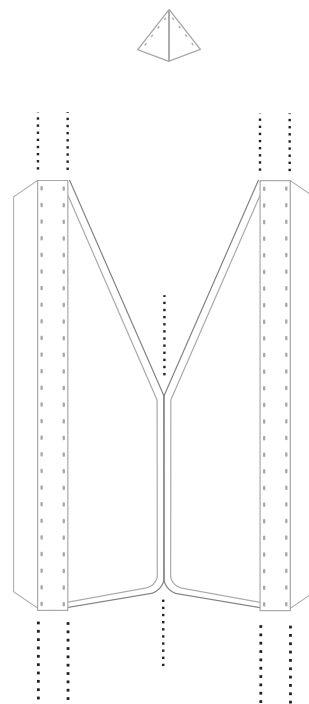
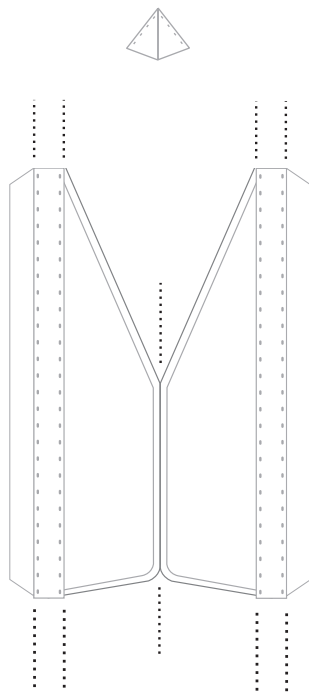
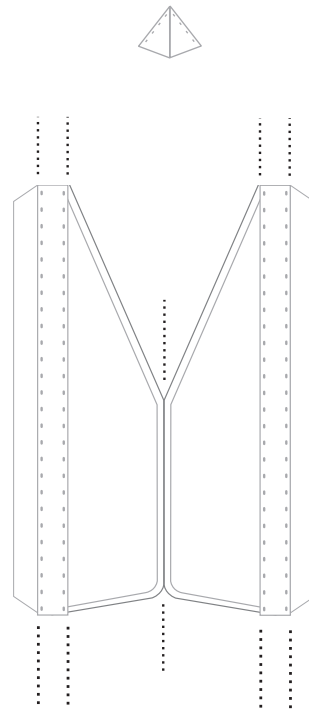
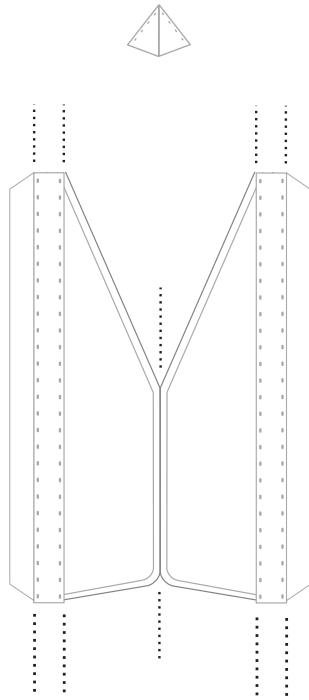
SPACE-X "Dragon v2"

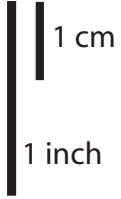
Pad Abort Configuration

Trunk Fins

Print on Cardstock (110 lbs)

Revision 2018

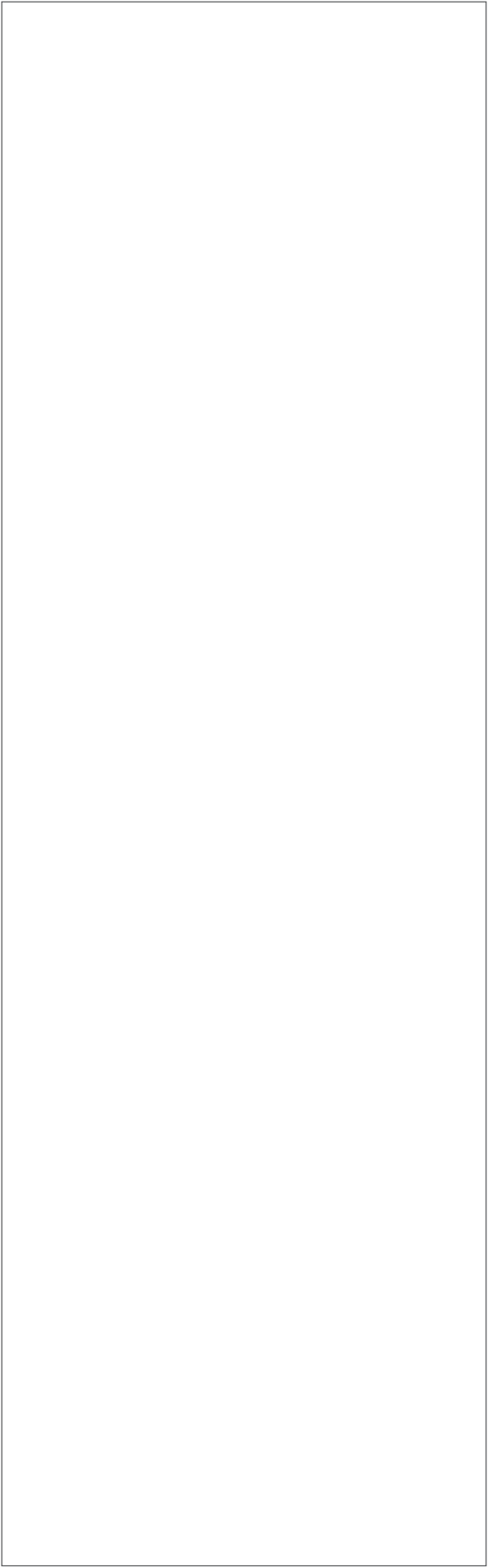




1:48 Scale

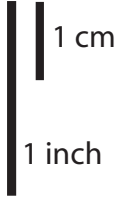
SPACE-X "Dragon v2"

Trunk reinforcer



Revision 2017

Print on Cardstock (110 lbs)



1:48 Scale

Dragon v2 Trunk

Base ring

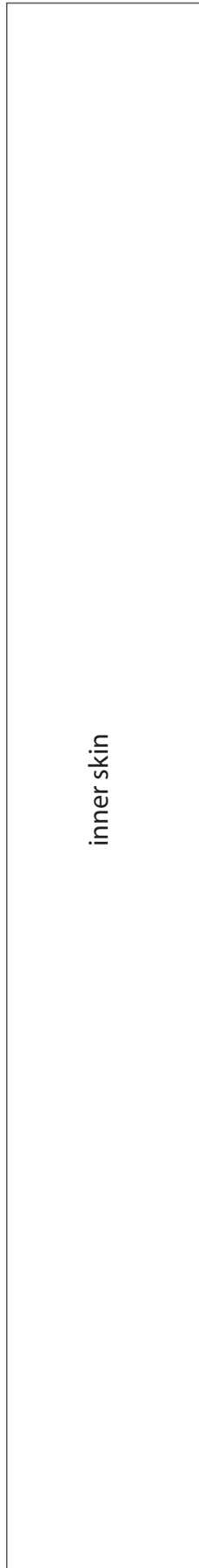
SPACE-X "Dragon v2"
Pad Abort Configuration

Revision 2017

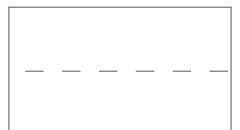
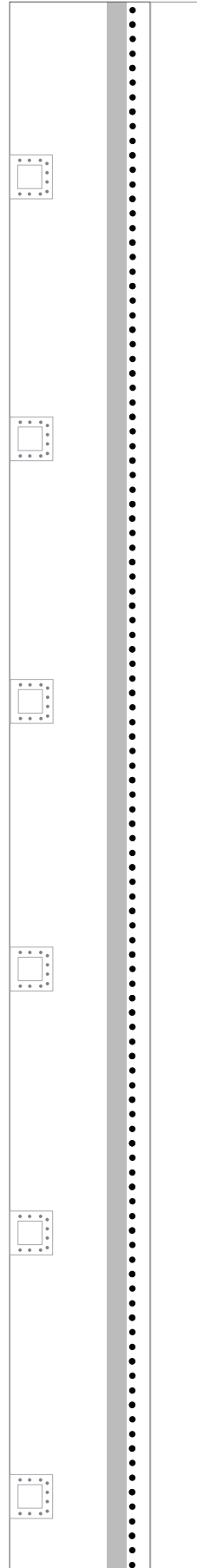
Print on Cardstock (110 lbs)



connector ring

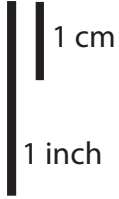


inner skin



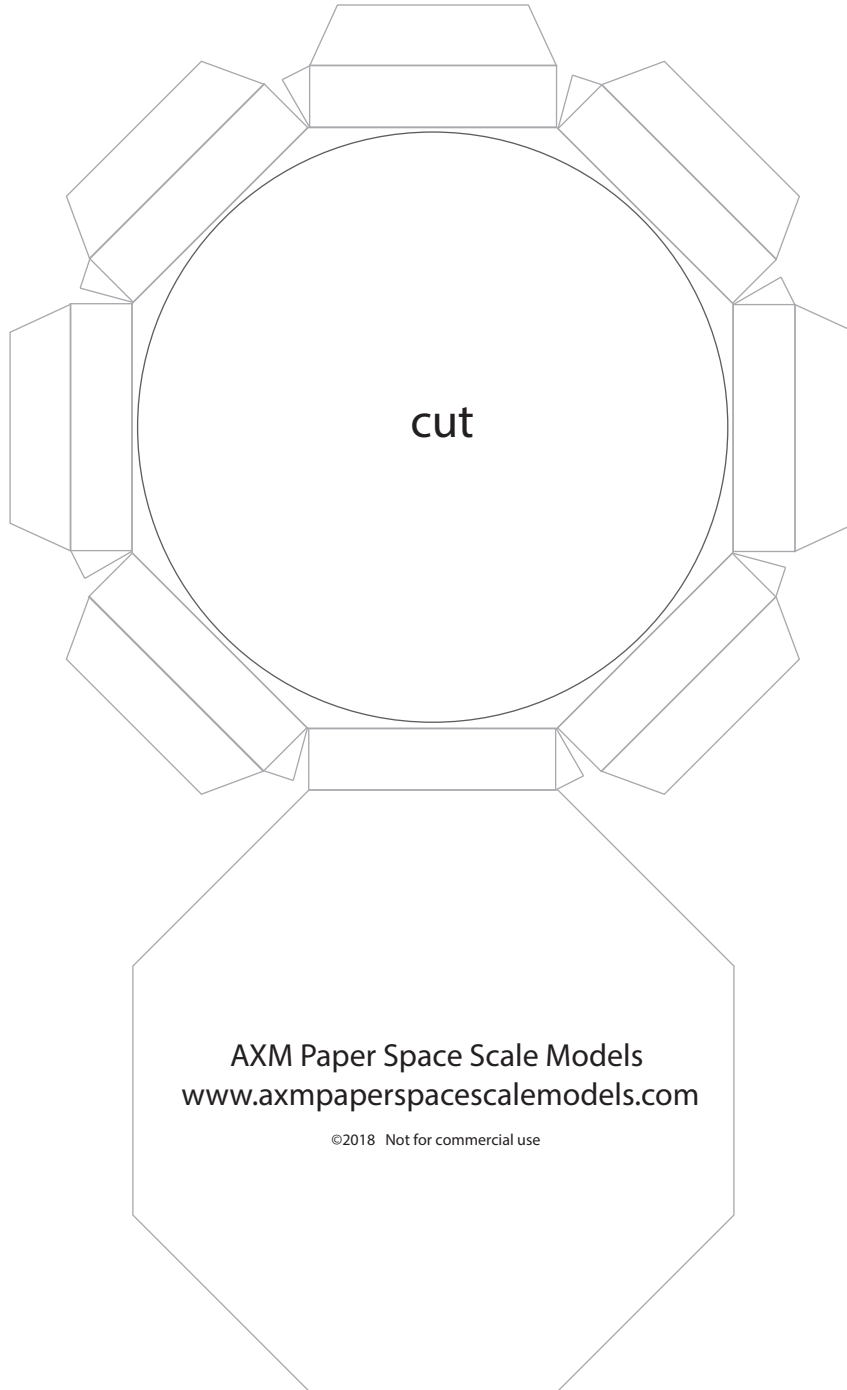


SPACE-X "Dragon v2" Pad Abort Configuration



1:48 Scale

Dragon v2 Base



Print on Cardstock (110 lbs)