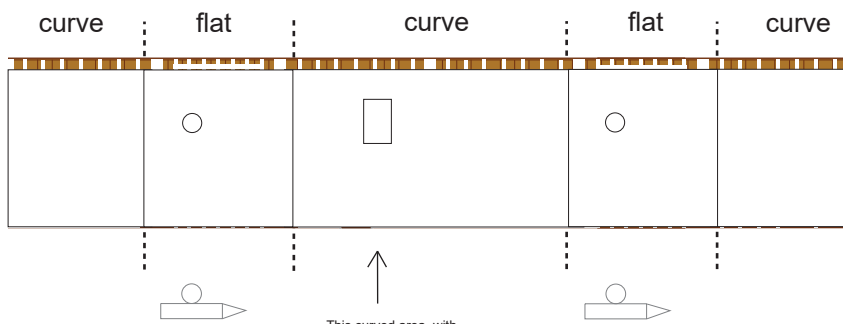
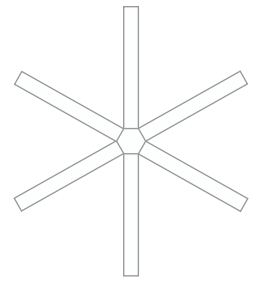
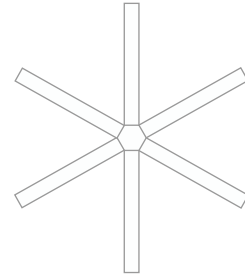
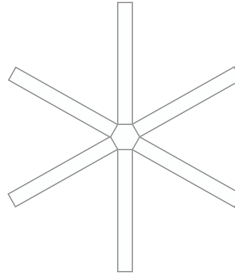
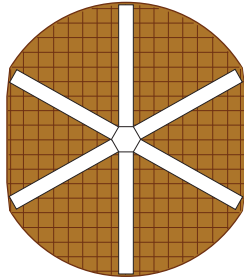


Dragon's Trunk and Payload

Print on Cardstock (110 lbs)

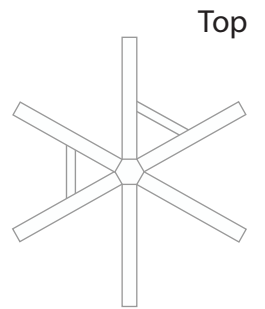
CRS-12

1:100 Scale

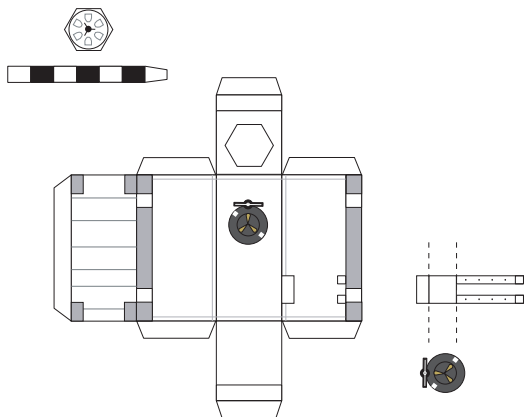


This curved area with the small rectangle is glued on the same side of the trunk that has the small rectangular box on the outside.

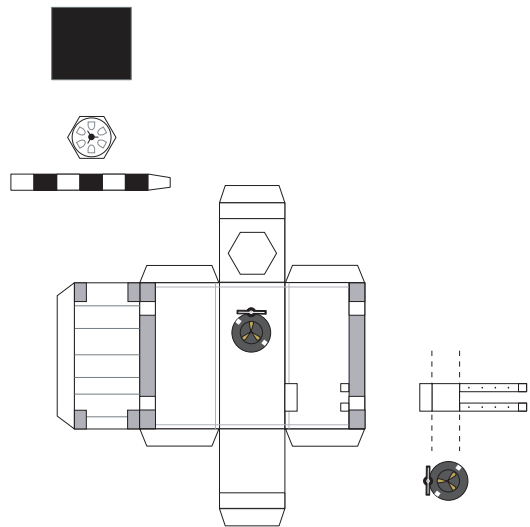
CREAM



To be glued inside Dragon's trunk



Roll into a tube and insert into JEM-EF



ISS configuration: on Kibo's Exposed Facility EFU#2