

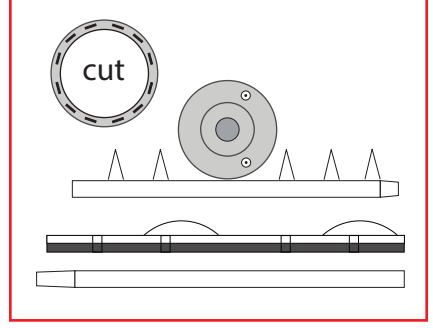
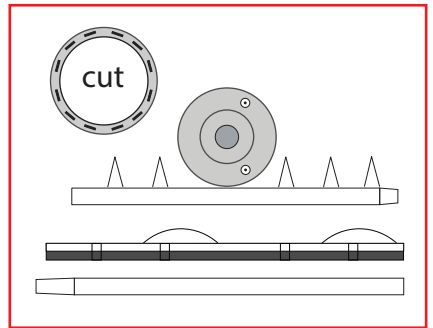
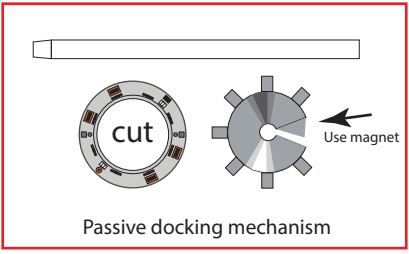
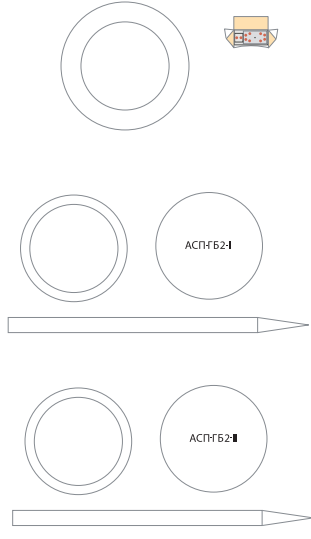
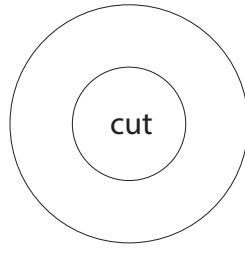
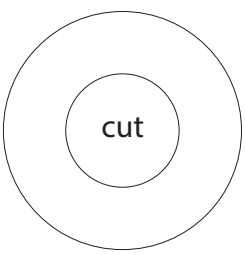
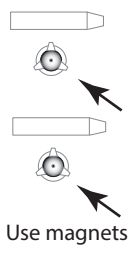
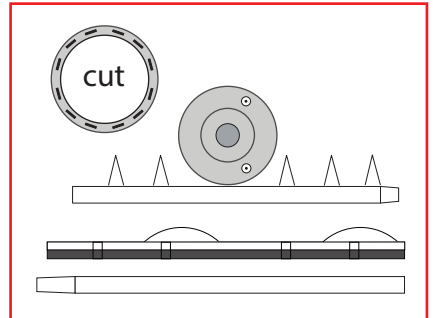
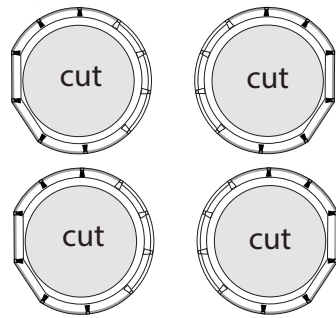
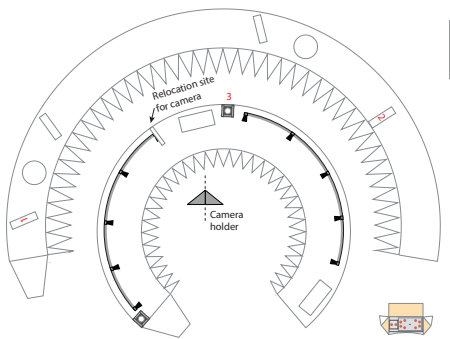
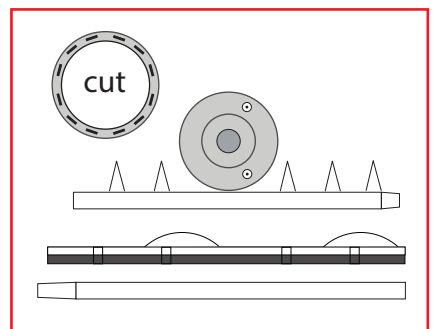
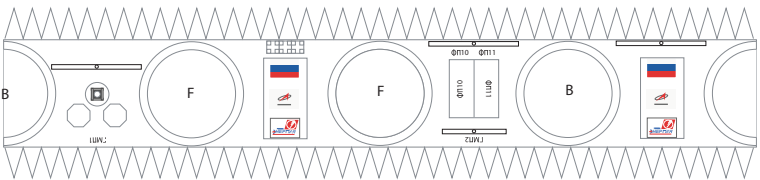
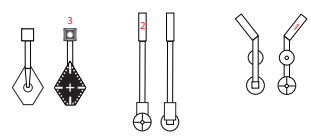
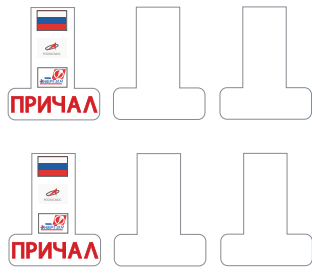
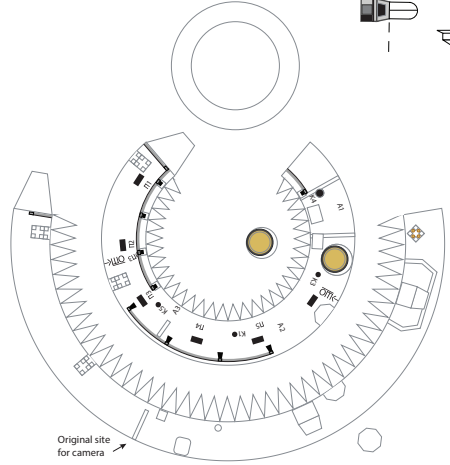
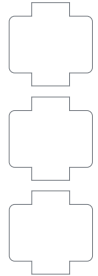
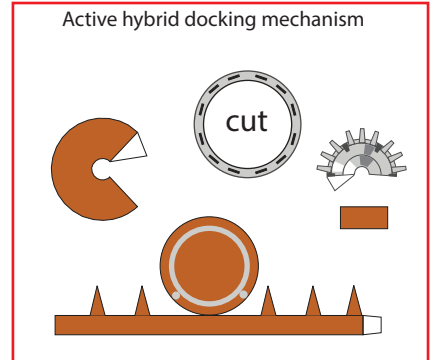


1 cm
1 inch

PRICHAL

Print on Cardstock (110 lbs)

1:100 Scale

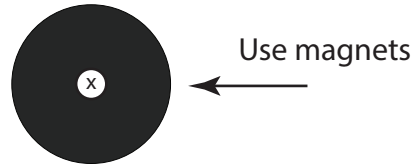




Print on Cardstock (110 lbs)

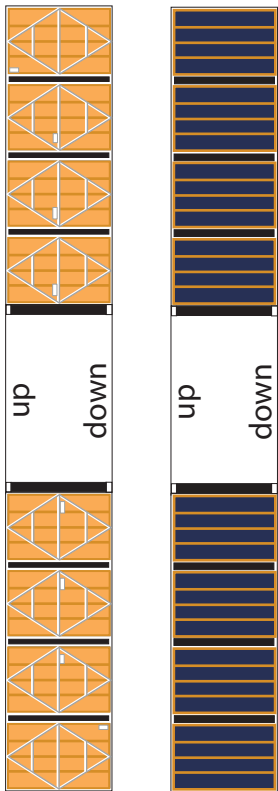
PRICHAL Progress transport

1:100 Scale

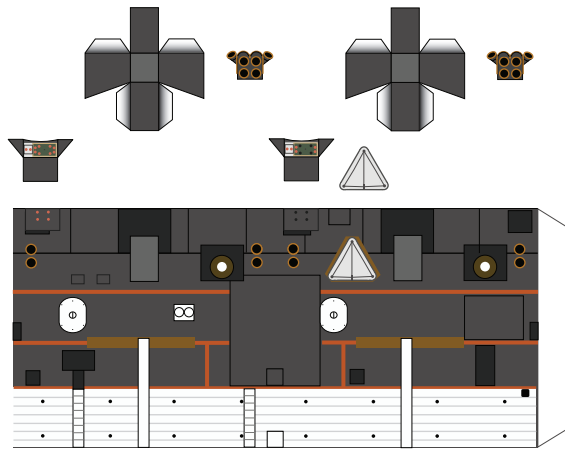


enforcer

this ring goes under enforcer circle



Interior skin



Horizon sensors

