



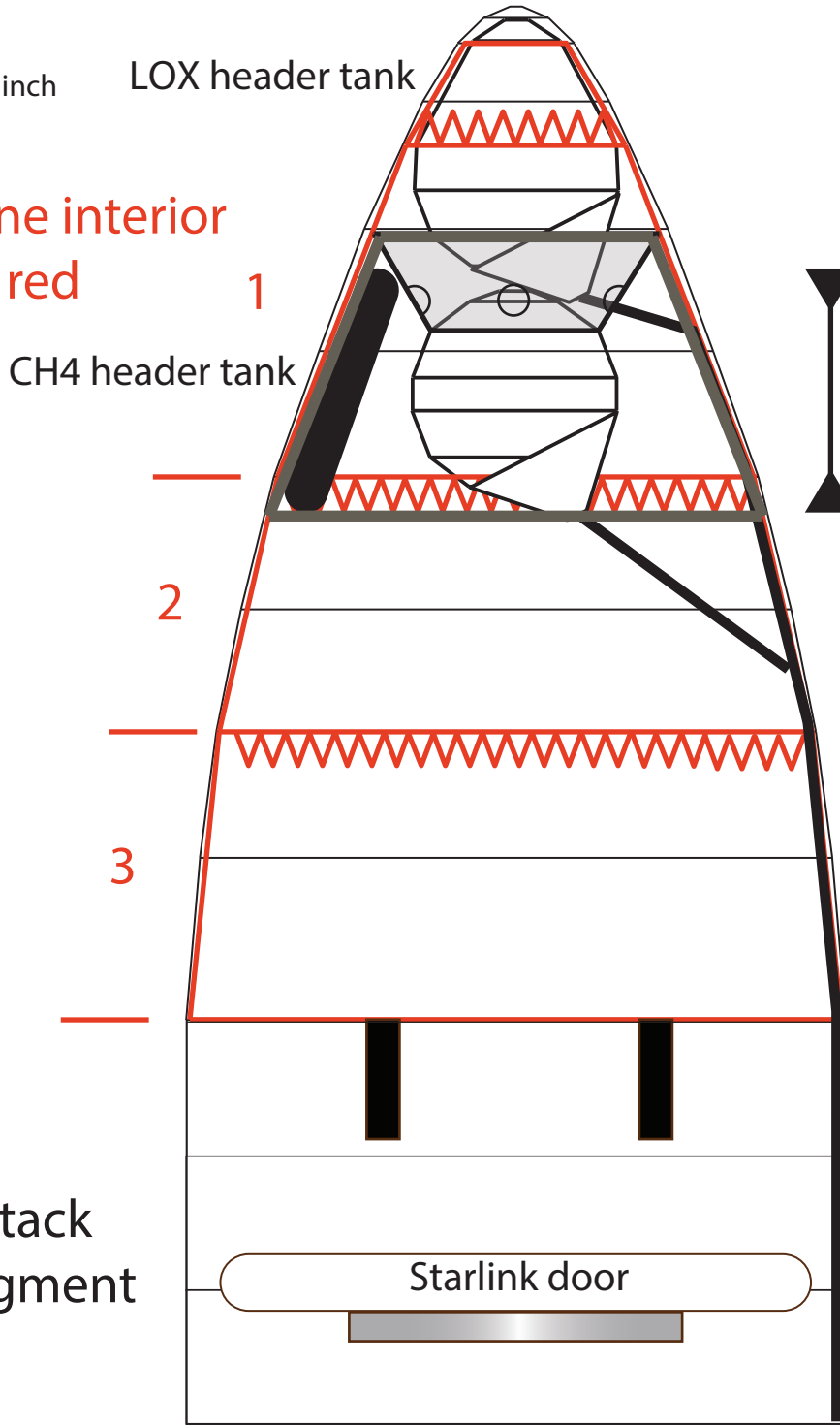
1:100 Scale

1 cm
1 inch

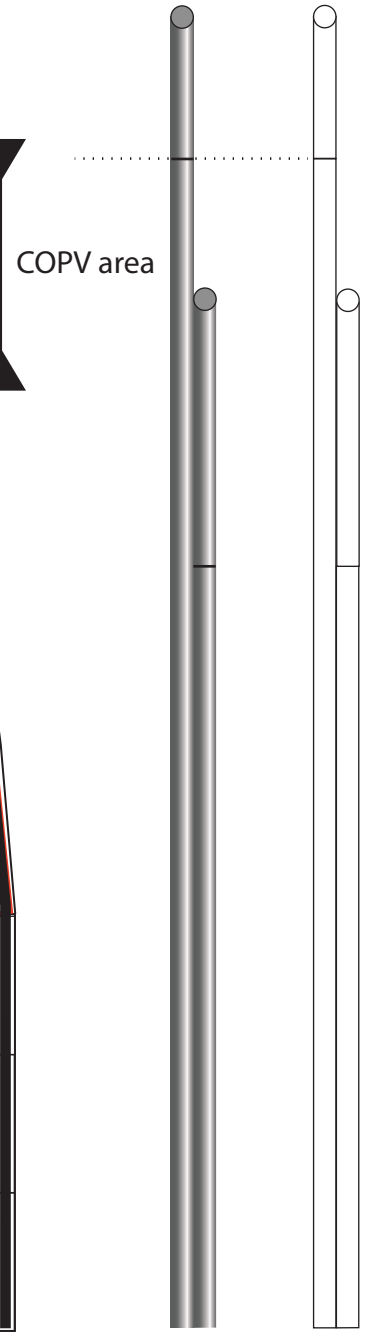
SpaceX Starship block 2

Print on Cardstock (110 lbs)

Nosecone interior parts in red



Header Tanks pipes



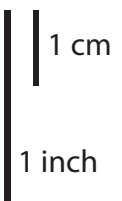
COPV area

3 Stack Segment

Starlink door

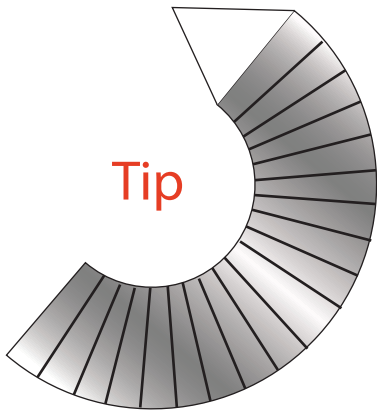


1:100 Scale

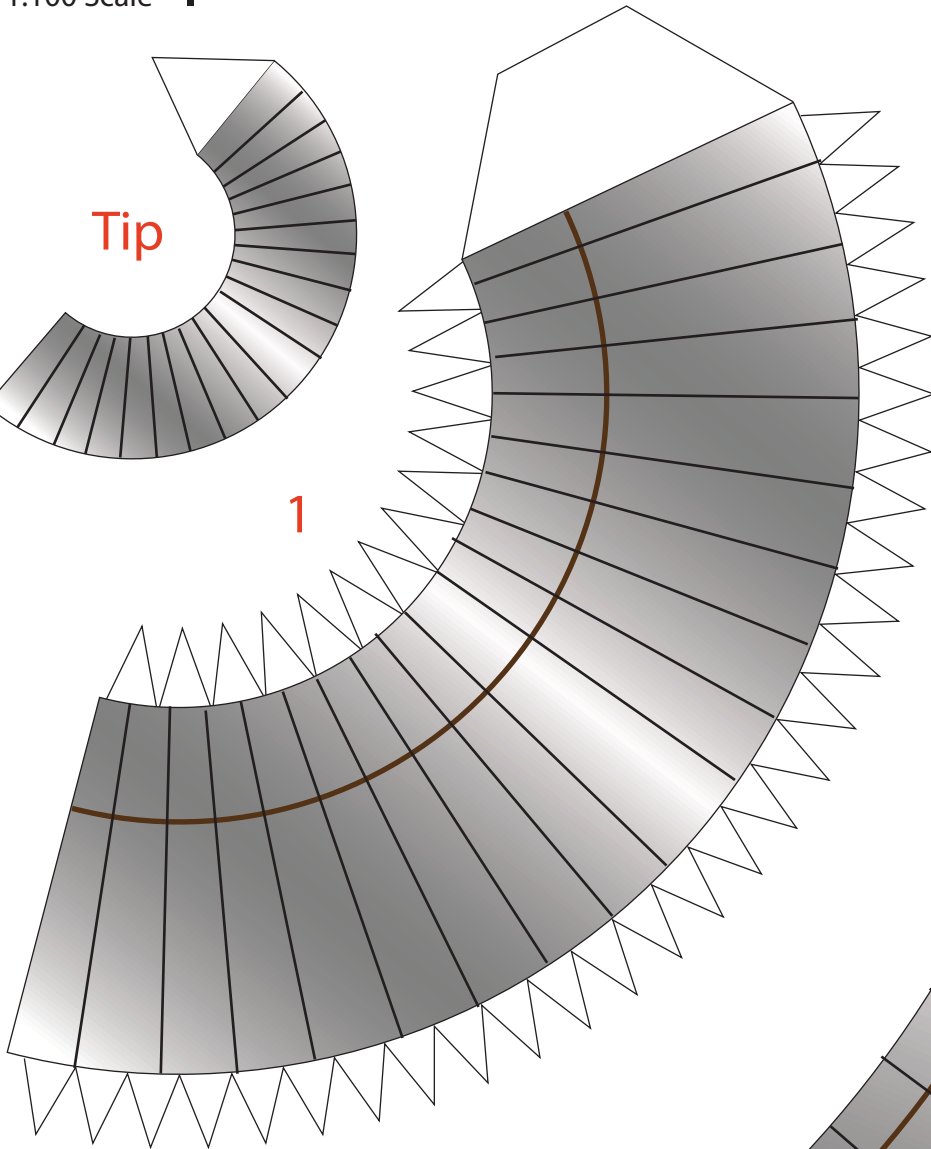


SpaceX Starship Nosecone interior

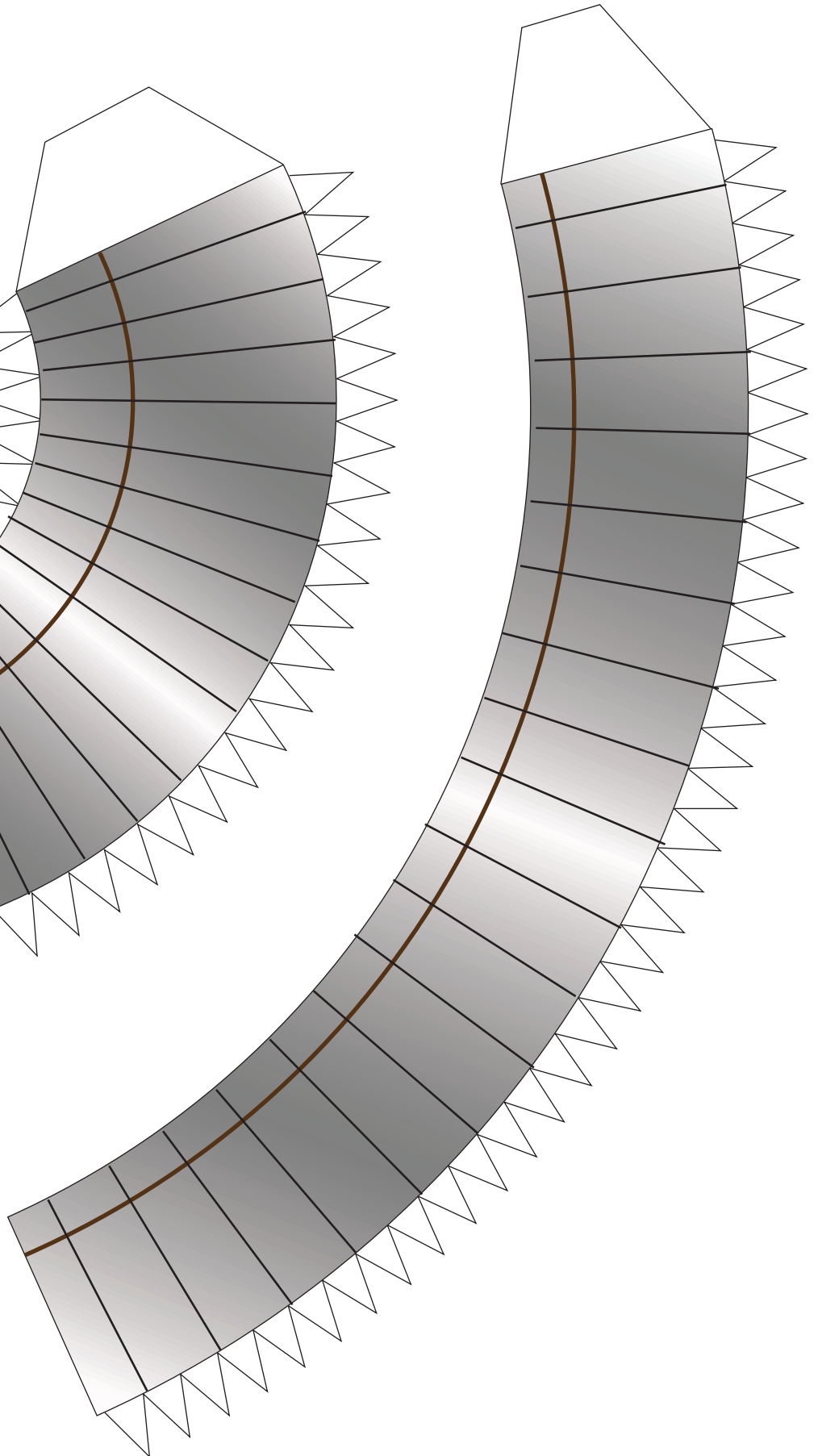
Print on Cardstock (110 lbs)



1



2





1:100 Scale

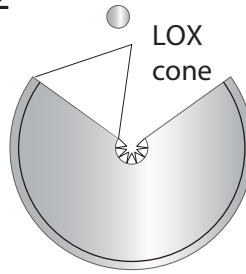
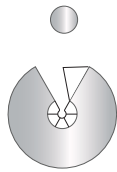


SpaceX Starship Nosecone interior

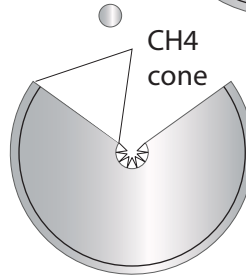
Print on Cardstock (110 lbs)

Block 2

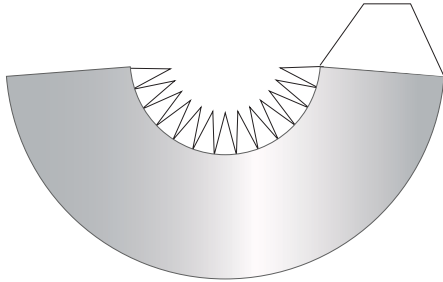
LOX header tank



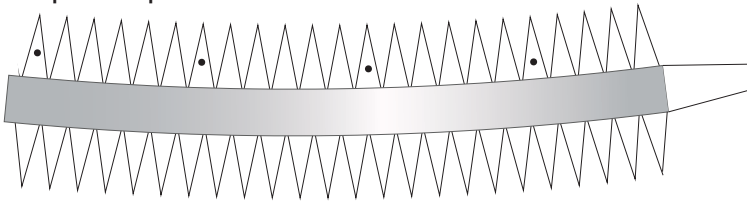
LOX cone



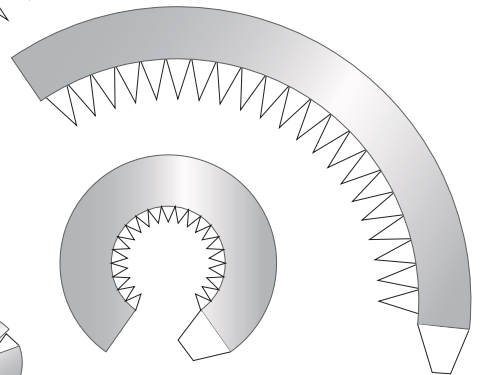
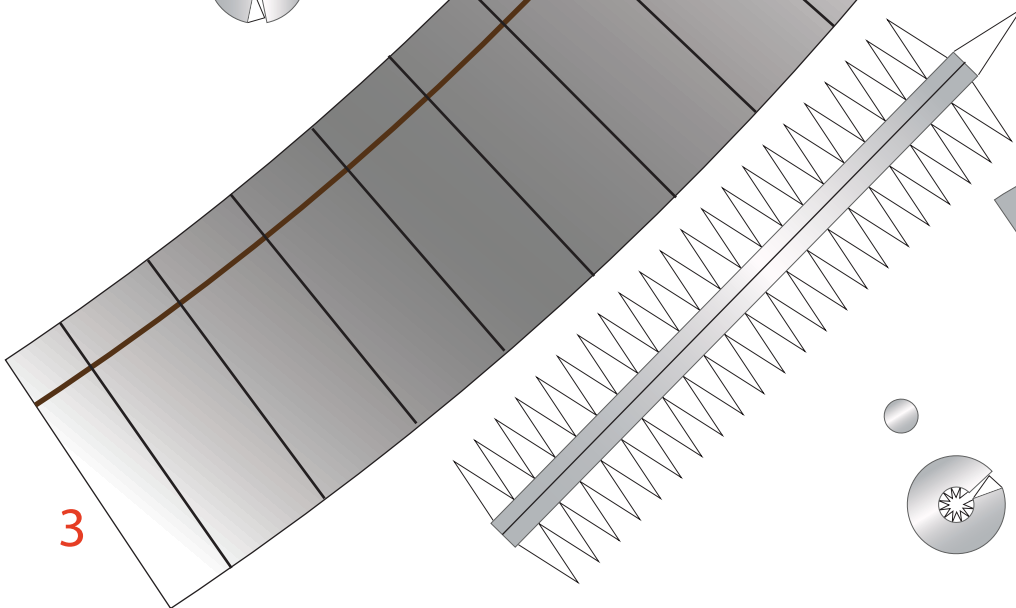
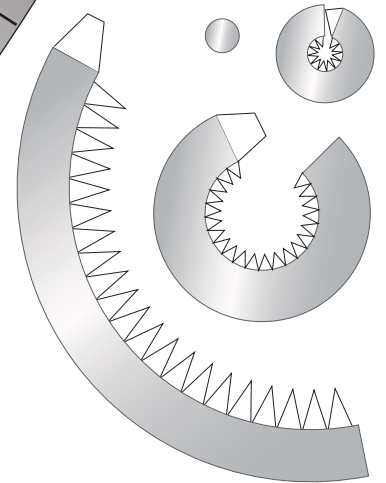
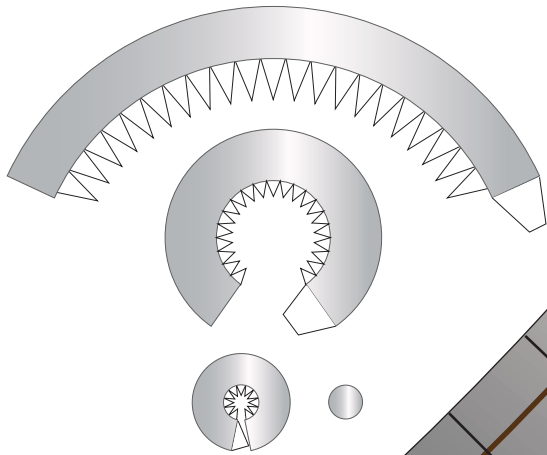
CH4 cone



Black dots point upwards



CH4 header tank



3

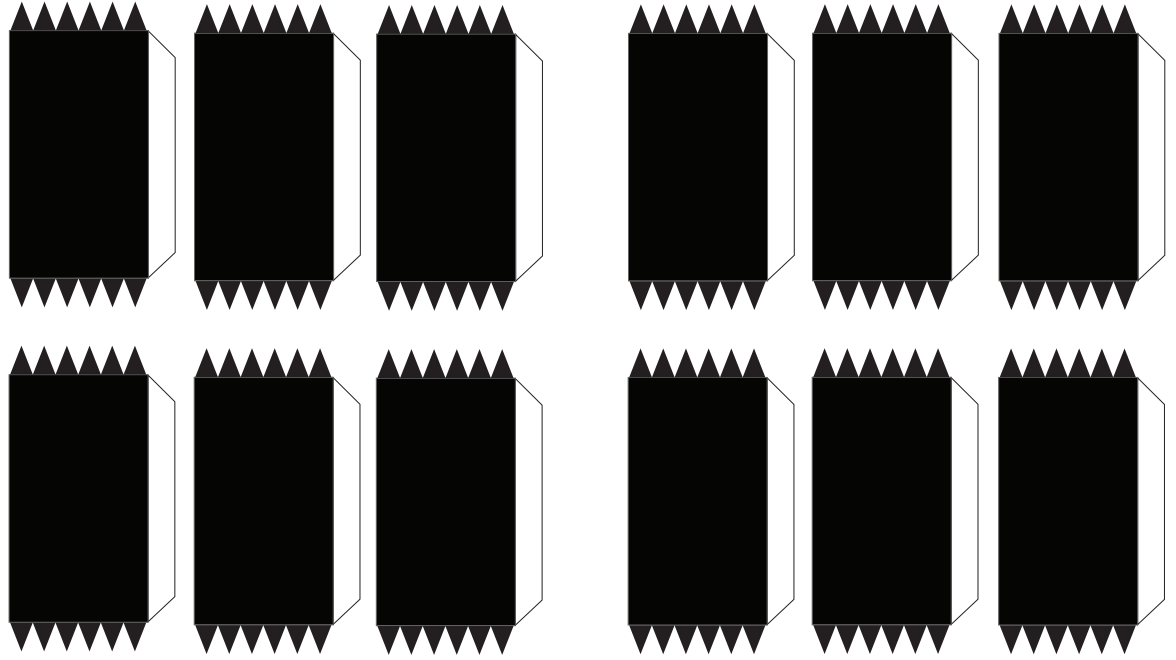
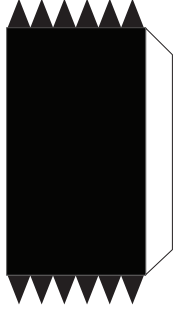


1:100 Scale

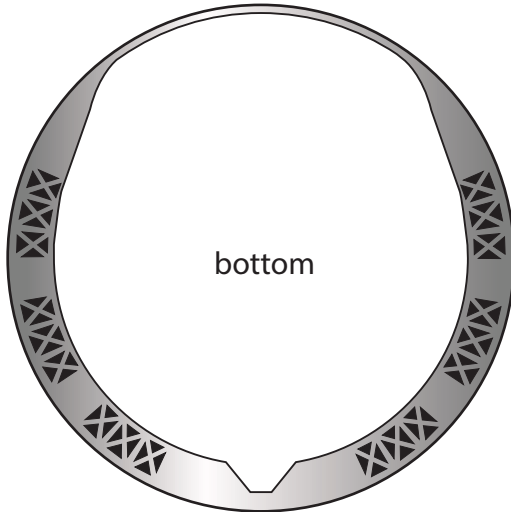
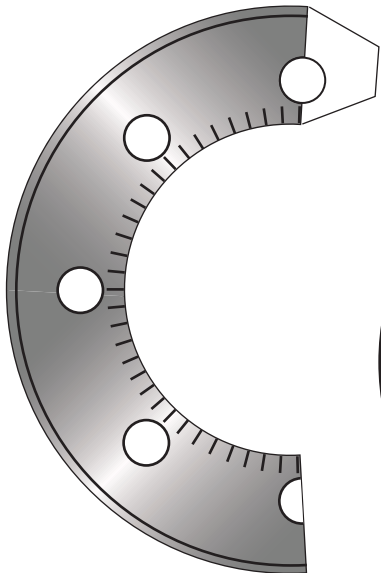
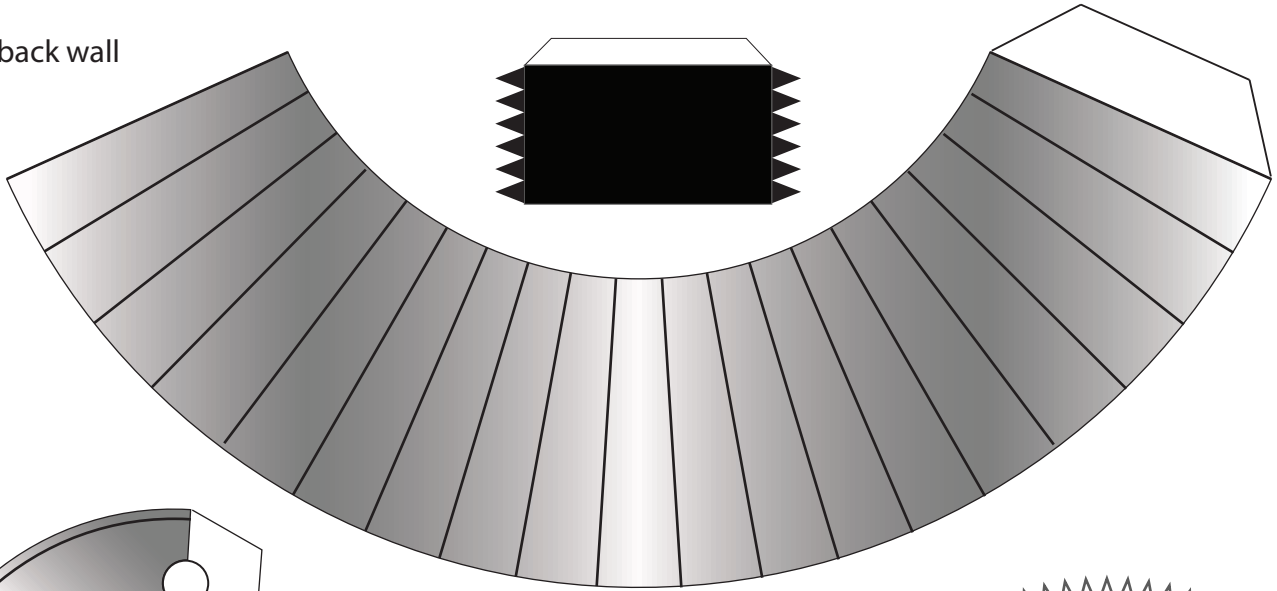


SpaceX Starship block 2 COPV support

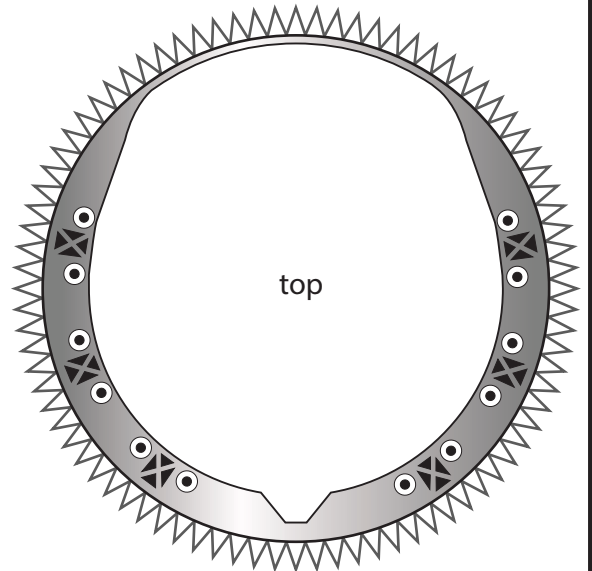
Print on Cardstock (110 lbs)



COPVs back wall



bottom



top



1:100 Scale

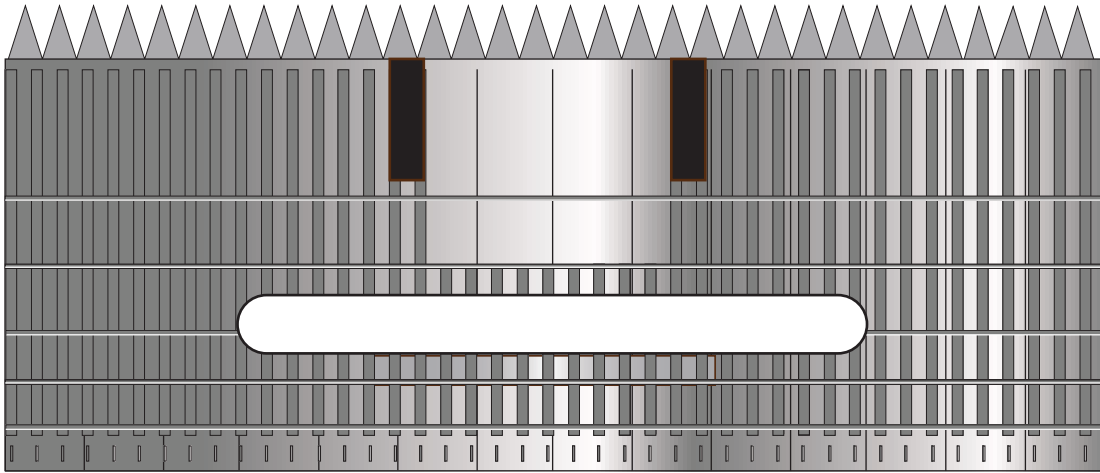


SpaceX Starship Block 2

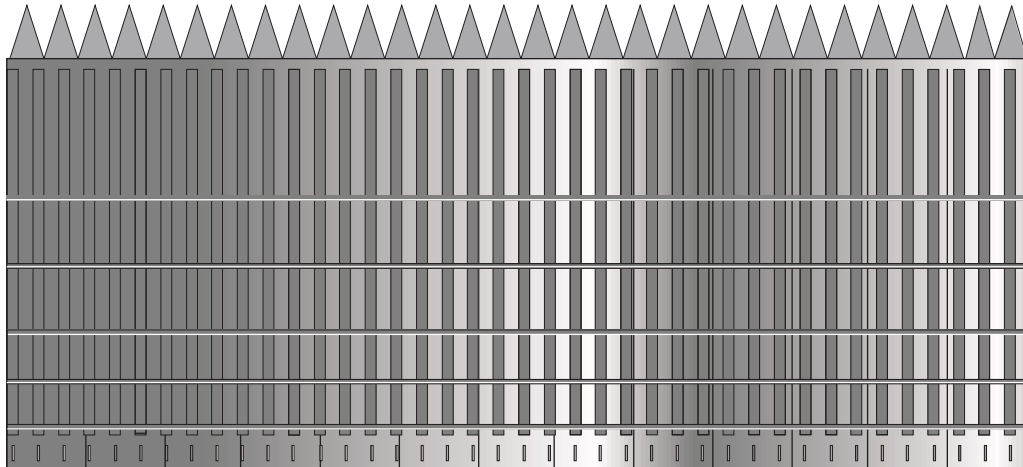
Print on Cardstock (110 lbs)

Nosecone-body 3 ring stack interior detail

connecting tabs
for nosecone



connecting tabs
for nosecone





1:100 Scale

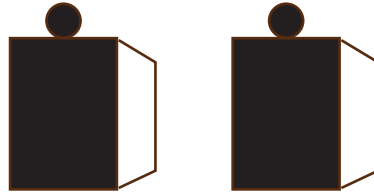


SpaceX Starship block 2

Print on Cardstock (110 lbs)

Payload Door system

Door pistons



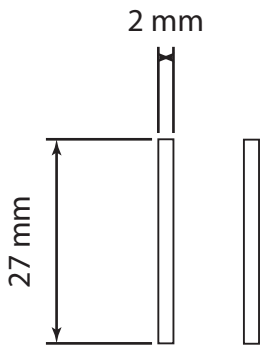
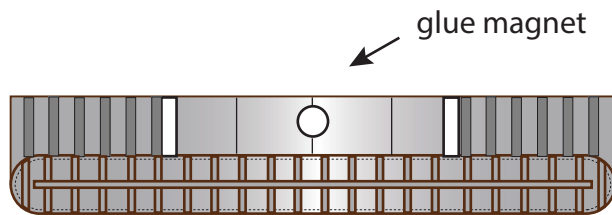
Front



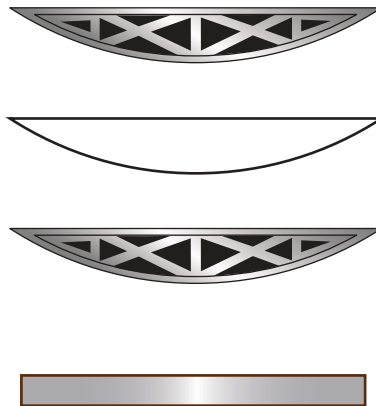
Middle



Back

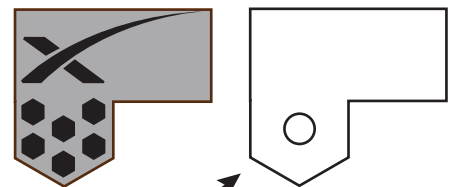


Use 2 rods (cotton swabs)



Sandwich these 3 parts and glue them beneath door edge

Magnet handler



glue magnet



1 cm

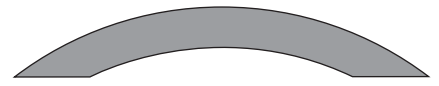
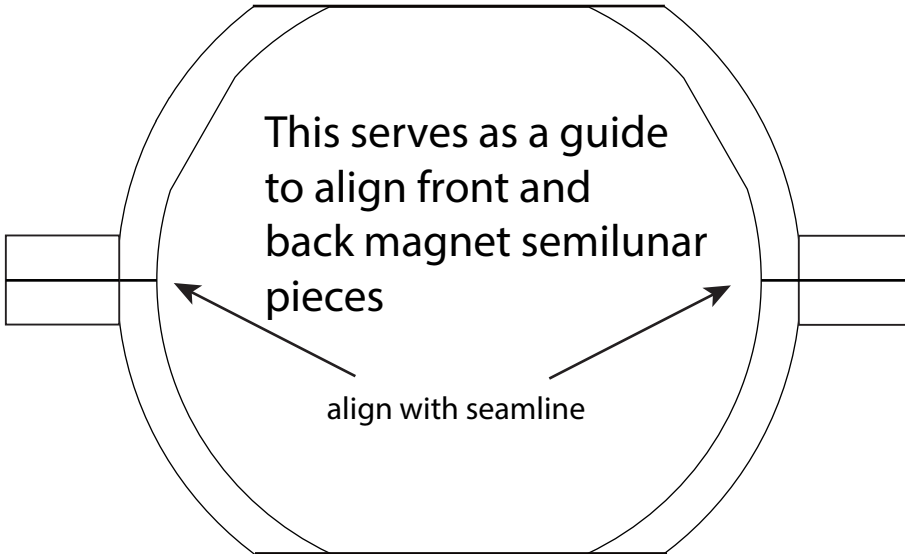
1 inch

1:100 Scale

SpaceX Starship block2

Print on Cardstock (110 lbs)

To be glued on Starship's nosecone ring segment section bottom edge



magnets



magnets



To be glued on Starship's upperdome top edge area

